

EIKI

EK-308U/EK-309W

WUXGA/WXGA High Performance Portable LCD Projector

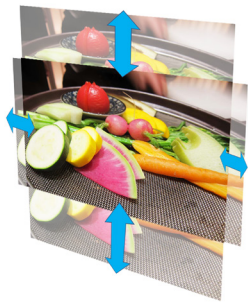


Achieve Higher Brightness with compact body

Flexible Installation

The useful function such as wide range of Horizontal and Vertical Lens Shift, Keystone correction, Corner Correction, and Curved Correction (for EK-309W only) offer you the flexible installation.

<Horizontal and Vertical Lens Shift>



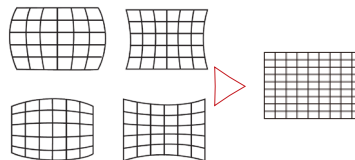
Horizontal: +/- 9%
Vertical: +/- 45%



<Corner Correction>



<Curved Correction (EK-309W only)>



Easy Maintenance

The maintenance is easier by Top-accessed lamp and Side-accessed Filter. Also, since electrostatic filter is employed for higher filtration efficiency, projector can be protected from dust more effectively.



Recommended Application



- Classrooms
- Lecture Hall
- Conference Rooms
- Museum

EK-308U and EK-309W are suitable from small sized to medium sized rooms. Since they have high visibility by high brightness, images and characters are clearly projected even in bright rooms.

6,000 Lumens*
WUXGA
(1920 x 1200)

6,000 Lumens*
WXGA
(1280 x 800)

EK-308U and EK-309W are the highest brightness in EIKI's portable projectors. These projectors have fulfilling input terminals even with compact body and they can provide brighter and clear images. Flexible installation capabilities enable to install the place where it is hard to install.

Key Features

- High Contrast Ratio 10,000 : 1 with IRIS on in Eco mode
- Optical Zoom 1.6 x
- Fulfilling I/O terminals
 - HDMI x 2
 - VGA x 2
 - USB-A x 1
 - USB-B x 1
- Flexible installation
 - Lens Shift
 - H: +/- 9%
 - V: +/- 45%
 - Keystone Correction
 - H: +/- 15°
 - V: +/- 30°
 - Corner Correction
 - Curved Correction (EK-309W only)
- Quick Power OFF
- Built-in 10-Watt Audio Speaker



* Center Lumens

EK-308U/EK-309W

WUXGA/WXGA High Performance Portable LCD Projector



Specifications

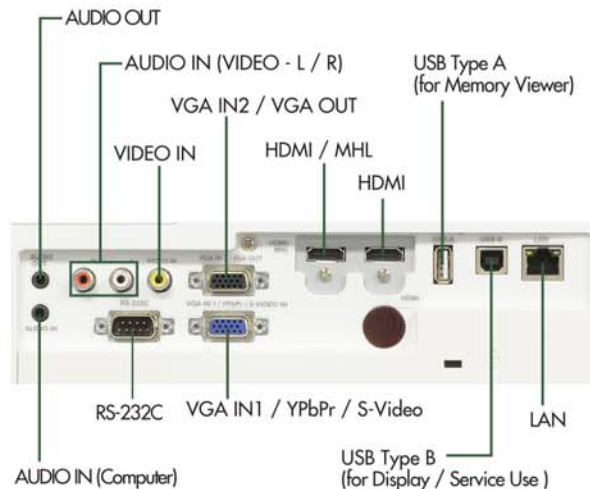
Model (EAN)	EK-308U (457119467 942 7)	EK-309W (457119467 944 1)
Display Type	0.64" 3LCD	
Resolution	WUXGA (1920 x 1200)	WXGA (1280 x 800)
Aspect Ratio	16:10	
Brightness	6,000 lm*	
Contrast Ratio	10,000:1 (with IRIS ON in Eco mode)	
Projection Light Source	300W x 1	
Light Source Life (Eco / Normal)	4,000 / 3,000 hours	
Image Diagonal	30" - 300"	
Lens (F Value / Focal length)	f = 1.6-1.9; FL = 0.602-0.97 in (315.31-24.64 mm)	
Zoom Ratio	Manual 1.6x	
Throw Distance	2.23 - 37.5 ft (0.68 - 11.43 m)	
Throw Ratio	1.07 - 1.75 : 1	
Lens Shift	V: +/- 45%, H: +/- 9% (Manual)	
Keystone Correction	V: +/- 30 degrees, H: +/- 15 degrees, Corner Correction, Curved Correction (EK-309W only)	
Projection Elevation Adjustment	Up to 10 degrees	
Scanning Frequency	H Sync: 15 - 100kHz, V sync: 48 - 85 Hz	
Dot Clock	150 MHz	
Input Signals - Computer	WUXGA (1920 x 1200) - VGA (640 x 480)	
Input Signals - Video	1080i/p, 720p, 576i/p, 480i/p	
Terminal	HDMI In	HDMI x 2 (1 HDMI supports MHL)
	VGA In	D-Sub 15 x 2
	YPbPr (Component)	D-Sub 15 x 1 (Shared with VGA IN 1 / S-Video)
	Video (Composite)	RCA x 1
	S-Video	D-Sub 15 x 1 (Shared with VGA IN 1 / Component)
	USB	USB Type A x 1 (Memory viewer) USB Type B x 1 (Display / Service Use)
	Monitor Out (VGA Out)	D-Sub 15 x 1 (Shared with VGA IN 2)
	Audio In	RCA x 2 (L/R), 3.5mm Mini Jack x 1
	Audio Out	3.5mm Mini Jack x 1
	LAN	RJ45 x 1
	RS-232C	D-sub 9 x 1
	Built-in Speaker	Mono 10.0 W x 1
Fan Noise (Eco / Normal)	35.9 dB / 40.9 dB	
Dimensions (W x H x D)	15.5 x 5.0 x 12.5 in (395 x 128 x 318 mm)	
Weight	9.9 lb (4.5 kg)	
Power Requirements	AC 100 - 240 V, 50/60 Hz	
Power Consumption (Normal / LAN Control Standby / Standby)	420W / <2W / <0.5W	410W / <2W / <0.5W
Thermal Dissipation	1,433 BTU	1,399 BTU
Standard Accessories	AC Power Cord x 1, HDMI Cable x 1 (for EK-308U), VGA cable x 1 (for EK-309W), Remote Control (with AAA batteries x 2), Quick Start Guide, Safety Guide	

* Center Lumens

Dimensions



Terminals



Optional Accessories

Replacement Lamp (P/N: 22040013)

Replacement Filter (P/N: 63340044)

EIKI INDUSTRIAL CO.,LTD.

6-23 Teramoto, Itami-Shi, Hyogo, Japan
Tel: +81-72-782-7552 · Web: global.eiki.com

Specifications subject to change without notice.
3LCD and 3LCD Logo are registered trademark of Seiko Epson Corporation.
All other trademarks are the property of their respective trademark owners.
©2019 EIKI Industrial Co., Ltd.